



# Extruder Rupture Disks

with M18 x 1.5 Mounting Thread

## Product Introduction

**ITP** Extruder Rupture Disks are designed for emergency relief of excess pressure in plastics processing machinery. They are designed to instantaneously rupture at a predetermined pressure. The **ITP** RD Series Rupture Disks are available in a variety of lengths and burst pressures.

**ITP** Extruder Rupture Disks may be specified for primary relief in applications where pressure build-up can occur so rapidly that the response time of a relief valve is inadequate.

## Features & Benefits

- burst pressures from 1,500 to 15,000 psi
- M18 x 1.5 mounting thread
- SS or Inconel disk
- suitable for melt temperatures up to 825°F
- burst pressure accuracy +/- 5%
- low installation and maintenance cost
- all stainless steel body

## Ordering Guide

<u>Model Number</u>	<u>Length &amp; Installation</u>
RD6H-M18	6" with Hex Head
RD9H-M18	9" with Hex Head
RD12H-M18	12" with Hex Head

## Standard Rated Burst Pressures

-1.5M	1,500 psi
-2.5M	2,500 psi
-3.5M	3,500 psi
-4.5M	4,500 psi
-5.5M	5,500 psi
-6.5M	6,500 psi
-7.5M	7,500 psi
-8.5M	8,500 psi
-9.5M	9,500 psi
-10.5M	10,500 psi
-12.5M	12,500 psi
-15M	15,000 psi

## Options

-1/2 NPT

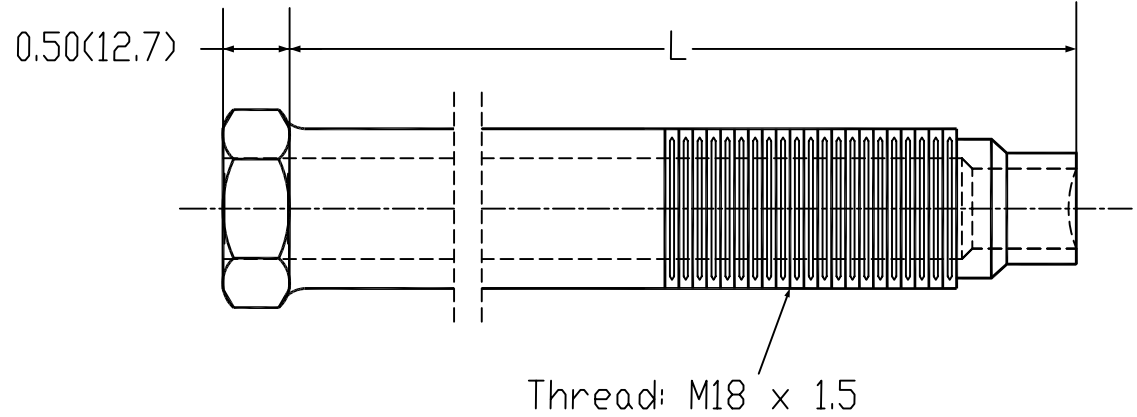
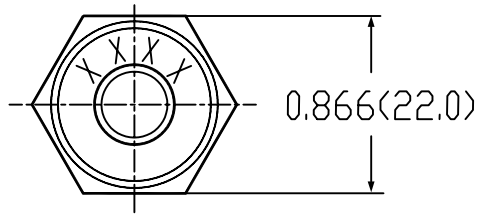
## Description

1/2" NPT  
discharge connection

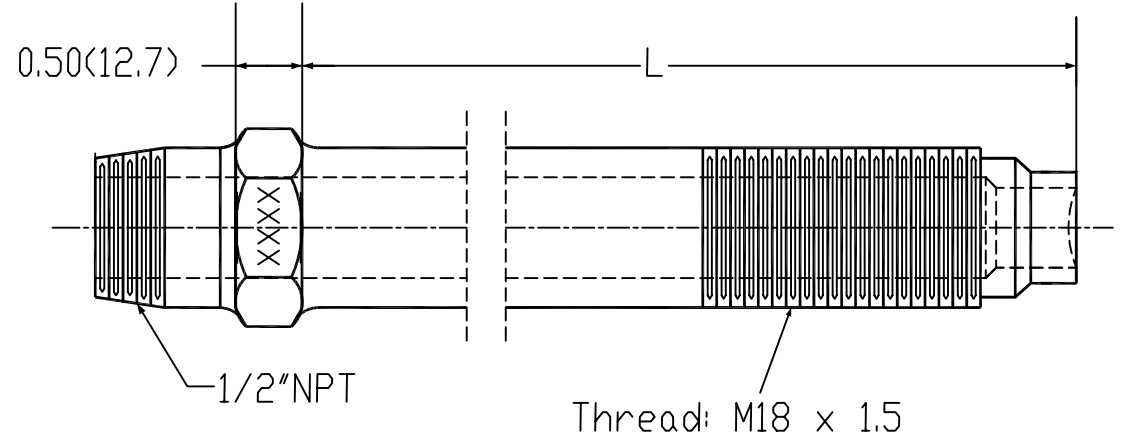
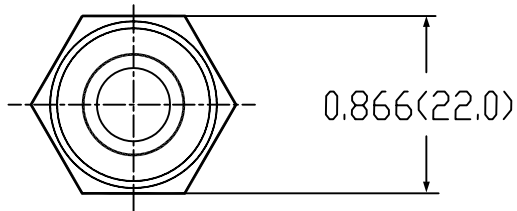


ph. 847-398-8600  
 itp@industrialthermo.com  
 www.industrialthermo.com

MODEL-M18



MODEL-M18-1/2NPT



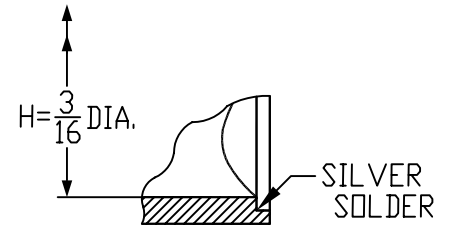
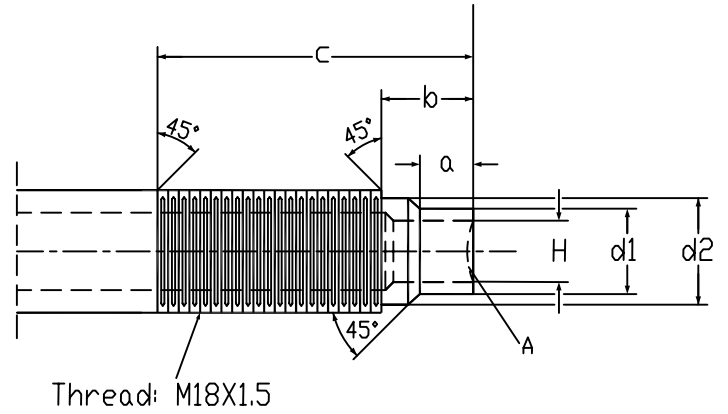
MODEL	RD6H	RD9H	RD12H
L=	6.00(152.4)	9.00(228.6)	12.00(304.8)



M18 x 1.5 Mounting Thread  
Dimensional Drawing Inches(mm)

a	b	c
0.250(6.35)	0.50(12.7)	1.63(41.40)
0.234(5.94)		

H	d1	d2
3/16*(4.78)	∅0.397(10.08)	∅0.632(16.05)
	∅0.392(9.96)	∅0.627(15.93)



DETAIL A

DATE: January/2006 V1.0