



Extruder Rupture Disks

with 3/4 - 16 UNF Mounting Thread

Product Introduction

ITP Extruder Rupture Disks are designed for emergency relief of excess pressure in plastics processing machinery. They are designed to instantaneously rupture at a predetermined pressure. The **ITP** RD Series Rupture Disks are available in a variety of lengths and burst pressures.

ITP Extruder Rupture Disks may be specified for primary relief in applications where pressure build-up can occur so rapidly that the response time of a relief valve is inadequate.

Features & Benefits

- burst pressures from 1,500 to 9,500 psi
- 3/4 - 16 UNF mounting thread
- SS or Inconel disk
- suitable for melt temperatures up to 825°F
- burst pressure accuracy +/- 5%
- low installation and maintenance cost
- all stainless steel body

Ordering Guide

<u>Model Number</u>	<u>Length & Installation</u>
RD2	2.5" with slotted head
RD4H	4" with Hex Head
RD6H	6" with Hex Head
RD7H	7" with Hex Head
RD9H	9" with Hex Head
RD12H	12" with Hex Head

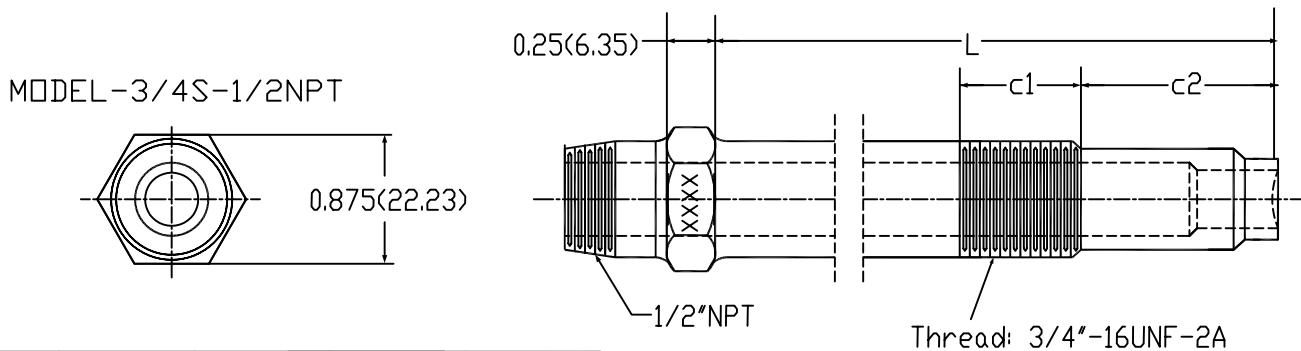
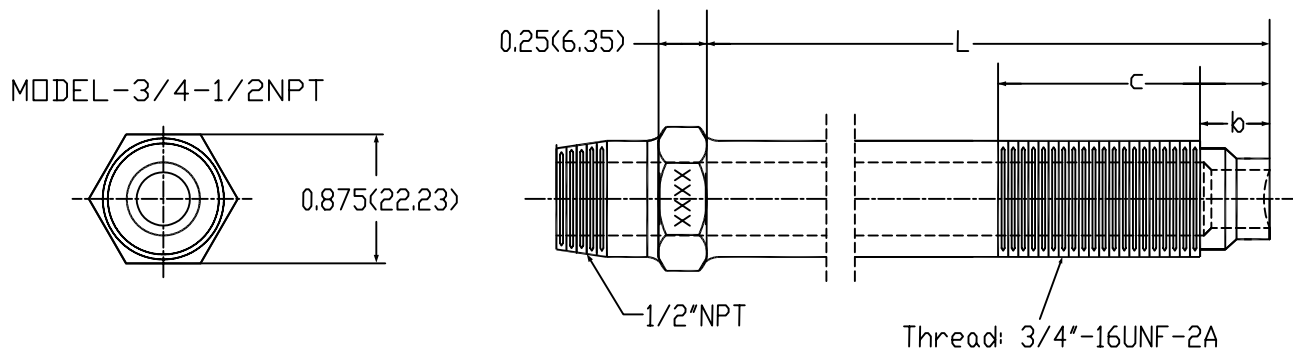
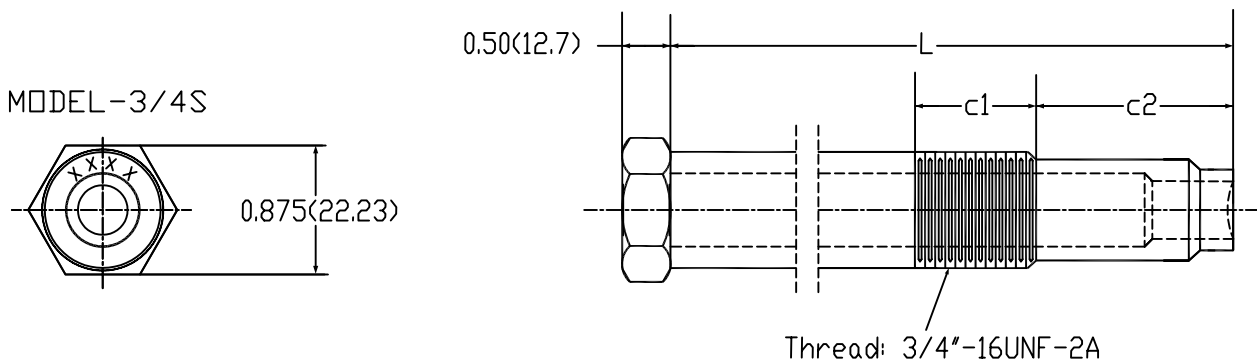
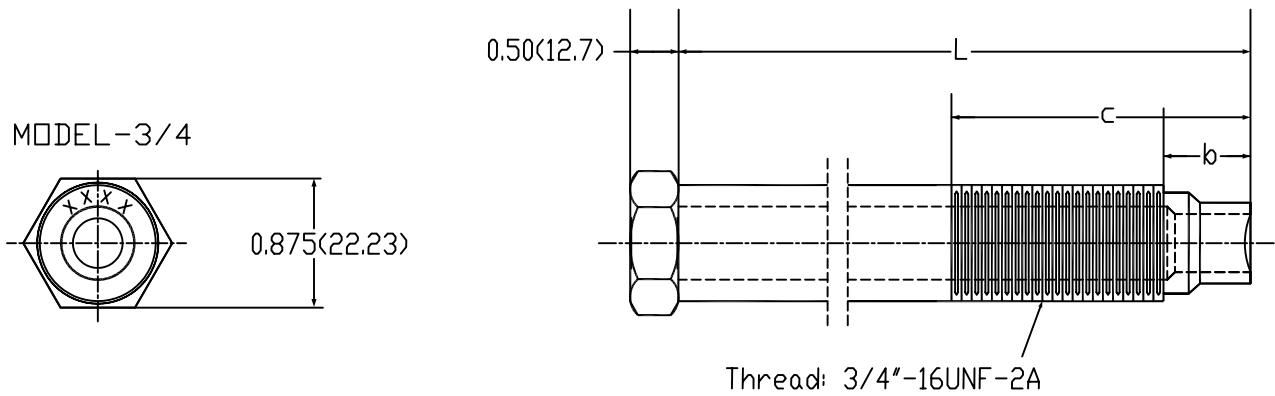
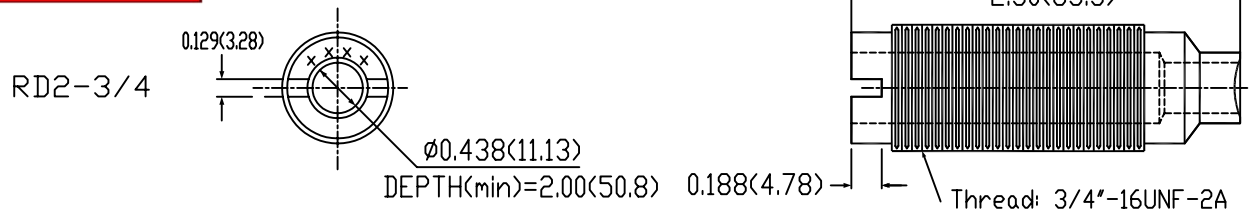
<u>Mounting Thread</u>	<u>Description</u>
-3/4	3/4 - 16 UNF Thread
-3/4S	3/4 - 16 UNF Short Thread

<u>Standard Rated Burst Pressures</u>	
-1.5M	1,500 psi
-2.5M	2,500 psi
-3.5M	3,500 psi
-4.5M	4,500 psi
-5M	5,000 psi
-7.5M	7,500 psi
-8.5M	8,500 psi
-9M	9,000 psi
-9.5M	9,500 psi

<u>Options</u>	<u>Description</u>
-1/2NPT	1/2" NPT discharge connection



ph. 847-398-8600
 itp@industrialthermo.com
 www.industrialthermo.com

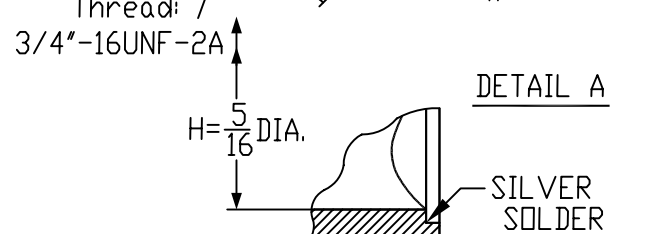
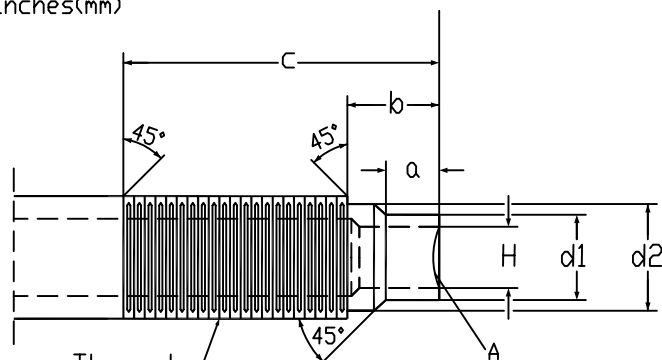


MODEL	RD4H	RD7H	RD9H	RD12H
L=	4.00(101.6)	7.00(177.8)	9.00(228.6)	12.00(304.8)

3/4"-16 Mounting Thread

a	b	c
0.300(7.62) 0.312(7.93)	0.545(13.84)	2.70(68.58)

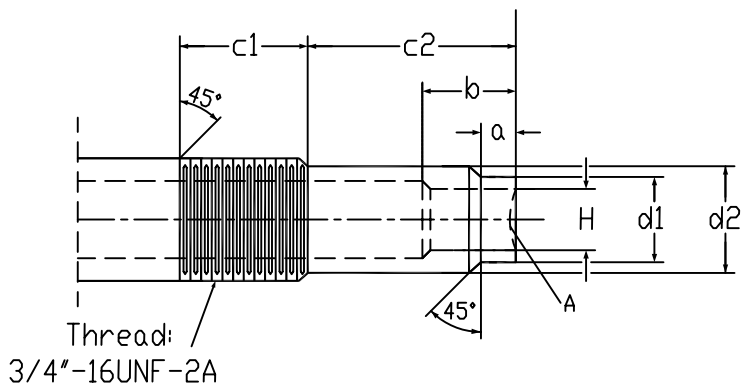
H	d1	d2	d3
5/16"(7.95)	∅0.500(12.70) ∅0.495(12.57)	∅0.665(16.89) ∅0.655(16.64)	∅0.66(16.76)



3/4"-16 Short Mounting Thread

a	b	c1	c2
0.300(7.62) 0.312(7.93)	0.545(13.84)	1.10(27.94)	1.60(40.64)

H	d1	d2	d3
5/16"(7.95)	∅0.50(12.70) ∅0.495(12.57)	∅0.665(16.89) ∅0.655(16.64)	∅0.66(16.76)



DATE: January/2006 V1.0