



Extruder Rupture Disks

with 5/8 - 11 NC Mounting Thread

Product Introduction

ITP Extruder Rupture Disks are designed for emergency relief of excess pressure in plastics processing machinery. They are designed to instantaneously rupture at a predetermined pressure. The **ITP** RD Series Rupture Disks are available in a variety of lengths and burst pressures.

ITP Extruder Rupture Disks may be specified for primary relief in applications where pressure build-up can occur so rapidly that the response time of a relief valve is inadequate.

Features & Benefits

- burst pressures from 1,500 to 15,000 psi
- 5/8 - 11 NC mounting thread
- SS or Inconel disk
- suitable for melt temperatures up to 825°F
- burst pressure accuracy +/- 5%
- low installation and maintenance cost
- all stainless steel body

Extruder Rupture Disks With 5/8 x 11 NC Mounting Thread



Ordering Guide

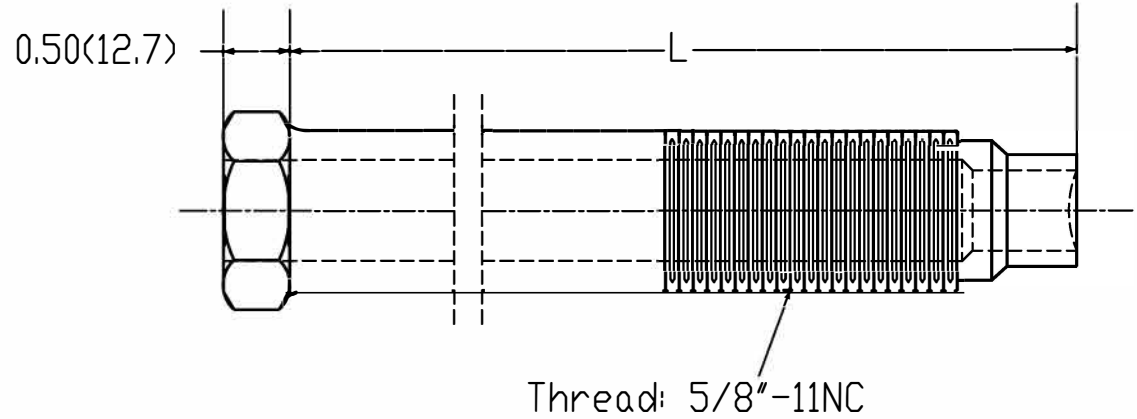
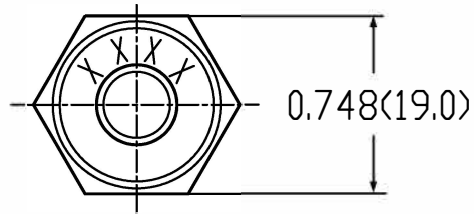
| <u>Model Number</u> | <u>Length & Installation</u> |
|---------------------|----------------------------------|
| RD4H-5/8 | 4" with Hex Head |
| RD6H-5/8 | 6" with Hex Head |
| RD9H-5/8 | 9" with Hex Head |

| <u>Standard Rated Burst Pressures</u> | |
|---------------------------------------|------------|
| -1.5M | 1,500 psi |
| -2.5M | 2,500 psi |
| -3.5M | 3,500 psi |
| -4.5M | 4,500 psi |
| -5.5M | 5,500 psi |
| -6.5M | 6,500 psi |
| -7.5M | 7,500 psi |
| -8.5M | 8,500 psi |
| -9.5M | 9,500 psi |
| -10.5M | 10,500 psi |
| -12.5M | 12,500 psi |
| -15M | 15,000 psi |

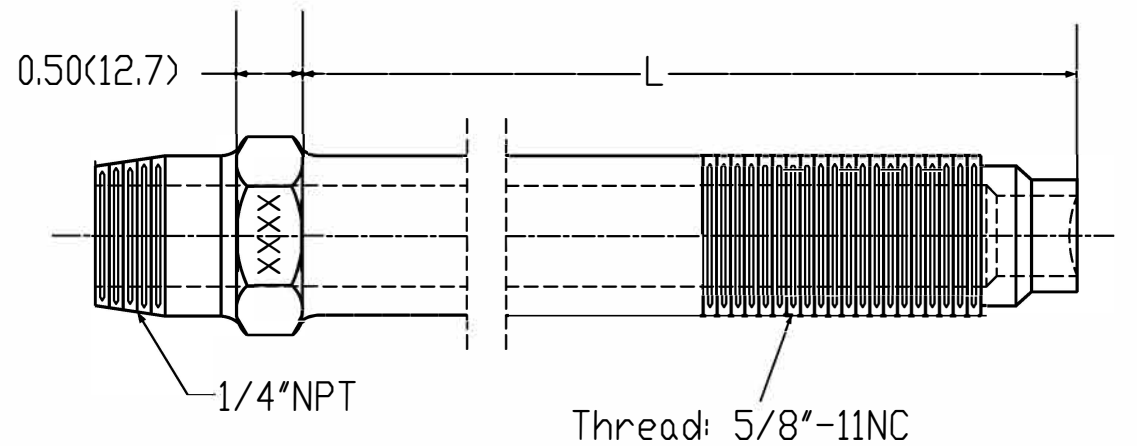
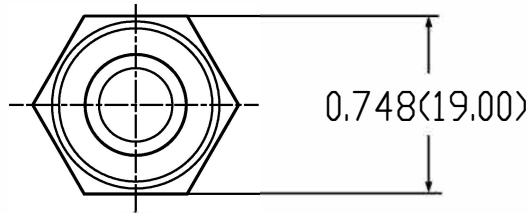
| <u>Options</u> | <u>Description</u> |
|----------------|-------------------------------|
| -1/4 NPT | 1/4" NPT discharge connection |

Example:
RD6H-5/8-7.5M, 6" extruder rupture disk with Hex Head rated for 7,500 psi burst pressure.

MODEL-5/8



MODEL-5/8-1/4NPT



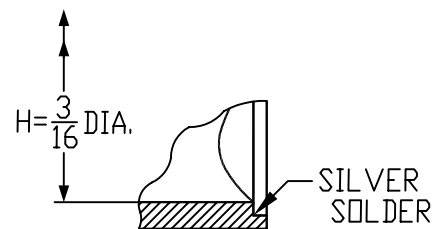
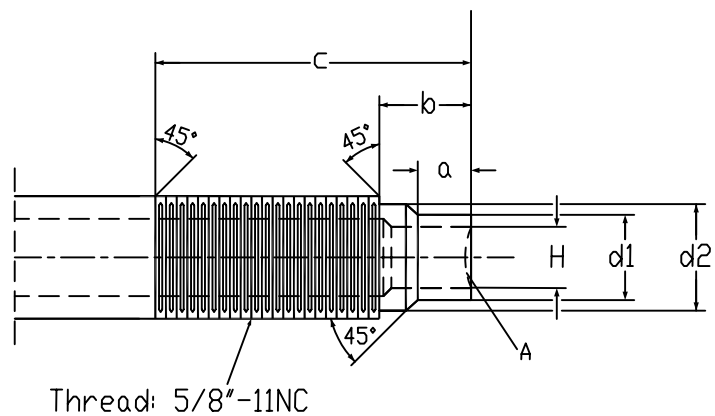
| MODEL | RD4H | RD6H | RD9H |
|-------|-------------|-------------|-------------|
| L= | 4.00(101.6) | 6.00(152.4) | 9.00(228.6) |



5/8"-11 Mounting Thread
Dimensional Drawing Inches(mm)

| a | b | c |
|-------------|--------------|-------------|
| 0.238(6.05) | 0.554(14.07) | 2.75(69.85) |

| H | d1 | d2 |
|-------------|-------------|--------------|
| 3/16"(4.78) | 0.354(8.99) | 0.488(12.40) |



DETAIL A

DATE: January/2006 V1.0