

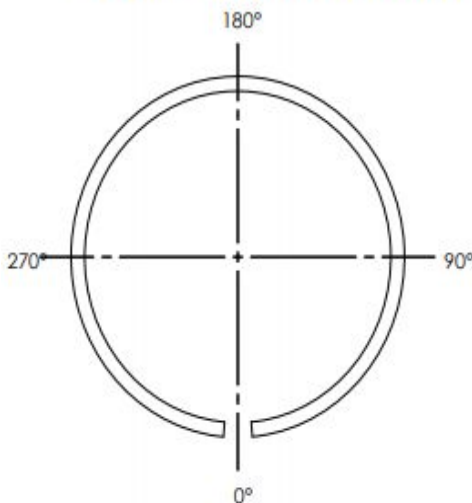
Company Name: \_\_\_\_\_  
 Contact Name: \_\_\_\_\_  
 Date: \_\_\_\_\_

**Mica Band Heater Reference Form**

| <u>Heater Dimensions</u>  | <u>Lead Termination</u>   | <u>Post Termination</u>  | <u>Other Termination</u>  |
|---|---|--|---|
| I.D.: _____ (in/mm)<br>Width: _____ (in/mm)<br><br><b>Electrical Specs</b><br>Voltage: _____<br>Wattage: _____<br><br><input type="checkbox"/> Dual Voltage<br><input type="checkbox"/> 3 Phase | <input type="checkbox"/> <b>Standard HiTemp Leads</b><br>Lead Length: _____<br><input type="checkbox"/> SS Braid<br><input type="checkbox"/> SS Conduit<br><input type="checkbox"/> Ground Wire<br><input type="checkbox"/> Right Angle Cap<br><input type="checkbox"/> Spring Guard<br><input type="checkbox"/> Strain Relief<br><br>Specify exit location on below drawing. | <input type="checkbox"/> <b>Post Terminals</b><br><input type="checkbox"/> 10-24 Thread<br><input type="checkbox"/> 10-32 Thread<br><input type="checkbox"/> SN1 (Default for +2" width)<br><input type="checkbox"/> SN2<br><input type="checkbox"/> SN3<br><input type="checkbox"/> Ground Post<br><input type="checkbox"/> Terminal Box<br><input type="checkbox"/> Custom Size T-Box<br><input type="checkbox"/> Ceramic Terminal Cover<br>Specify exit location on below drawing | <input type="checkbox"/> <b>Button Terminals</b><br><br><input type="checkbox"/> <b>Euro Plug</b><br><input type="checkbox"/> Vertical<br><input type="checkbox"/> Horizontal<br><input type="checkbox"/> <b>Custom Plug</b> (specify)<br><br>Specify exit location on below drawing. |

| <u>Heater Construction</u>  | <u>Clamping Options</u>   | <u>Extra Options</u>   |
|---|---|--|
| <input type="checkbox"/> <b>One Piece (Std Construction)</b><br><input type="checkbox"/> <b>Two Piece Construction</b><br>Voltage each half _____<br>Wattage each half _____<br><input type="checkbox"/> <b>Expandable Construction</b><br><input type="checkbox"/> <b>Hinged Construction</b><br><input type="checkbox"/> <b>Partial Coverage</b><br>Coverage _____<br><input type="checkbox"/> <b>I.D./ Reverse Heating</b> | <input type="checkbox"/> <b>Flange</b><br><input type="checkbox"/> <b>Strap</b><br><input type="checkbox"/> Standard Strap<br><input type="checkbox"/> Low Profile Strap<br><input type="checkbox"/> <b>Wedge Lock up</b><br><input type="checkbox"/> <b>Welded On Barrel Nut Lock Up</b><br><input type="checkbox"/> <b>Heavy Duty Welded On Barrel Nut Lock Up</b><br><input type="checkbox"/> <b>Spring Loaded Barrel Nut</b><br><input type="checkbox"/> <b>Full Strap</b><br><br><b>Gap Size/Clearance:</b><br>_____ | <input type="checkbox"/> <b>SS Sheath</b><br><input type="checkbox"/> <b>Bayonet Adaptor</b><br><input type="checkbox"/> <b>Custom Lock Up</b><br><input type="checkbox"/> <b>Internal Thermocouple</b><br><input type="checkbox"/> Type J<br><input type="checkbox"/> Type K<br><input type="checkbox"/> <b>Holes/Slots (specify location on below drawing)</b><br><b>Hole Diameter:</b> _____<br><b>No. of Holes :</b> _____ |

**ONE PIECE CONSTRUCTION**



**TWO PIECE CONSTRUCTION**

