

# Coil Heater Specifications & Tolerances

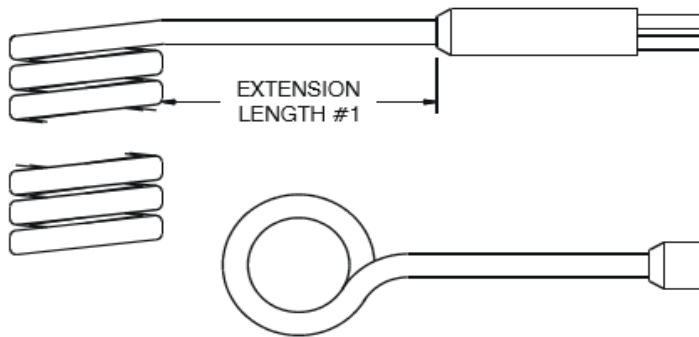
The majority of small diameter coiled cable heaters feature fully annealed, round cross-section cold extensions which can be formed into a variety of finished configurations. Coiled heaters can be supplied with extensions formed to customer specifications or in configurations suitable for finish forming by the customer.

The durable extension style lead exit can be of any desired length and is often useful in isolating the actual lead system from areas subject to potential contamination and abuse.

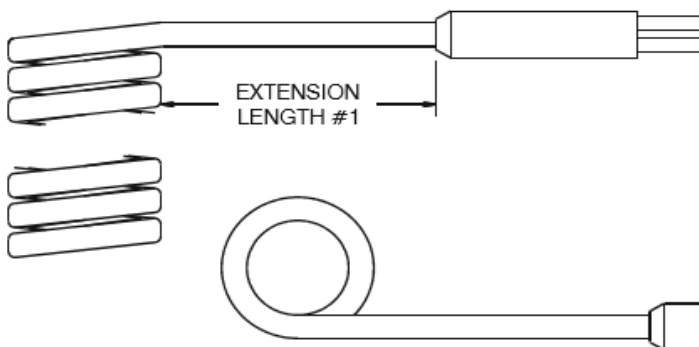
Type "R" radial and "T" tangential extensions feature a 2 1/2 inch extension length unless otherwise specified on the purchase order. Extension lengths for all other extension types must be noted on the purchase order.

Standard and minimum bend radii for the various dimensional cross-sections are listed in the dimensional specification tables on page 4-7. Please specify any required special extension forming length dimensions or bend radii on the purchase order or an attached drawing.

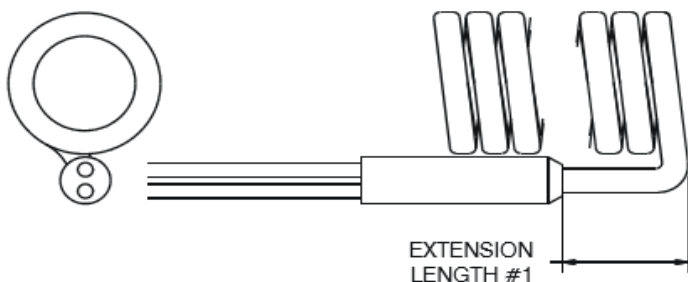
## Type "R" Radial Extension Exit



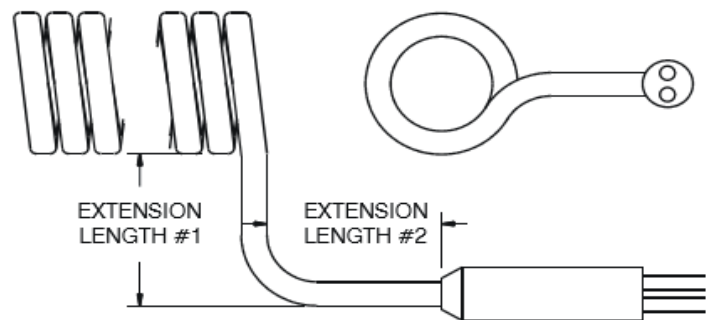
## Type "T" Tangential Extension Exit



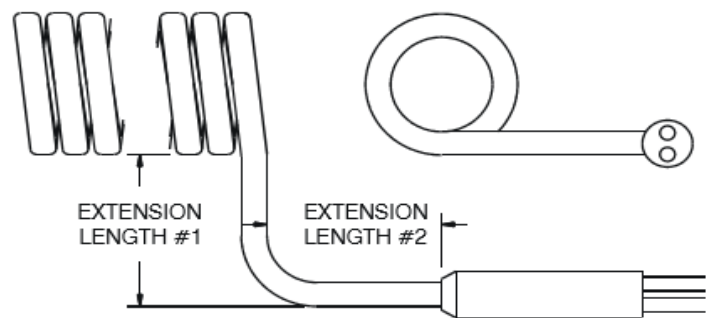
## Type "P" Parallel Extension Exit



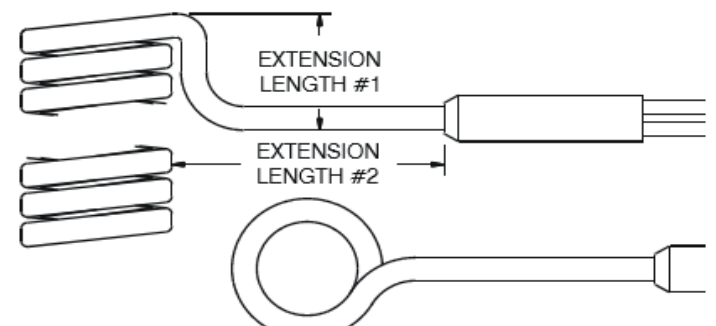
## Type "R90" Radial Extension Exit With 90° Bend



## Type "T90" Tangential Extension Exit With 90° Bend



## Type "P90" Parallel Extension Exit With 90° Bend



# Coil Heater Specifications & Tolerances

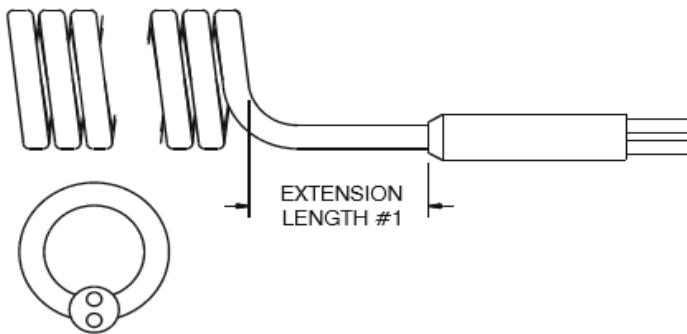
Type "A" axial extensions are supplied with a 2 1/2 inch extension length unless otherwise specified. Type "A90" extension lengths must be noted on the purchase order.

The type "TR", type "TT", type "TA" and type "TL" coil mounted transition style terminations shown below were originally designed for use on larger cable cross-sections but have also proven useful in a variety of applications requiring smaller cable cross-sections.

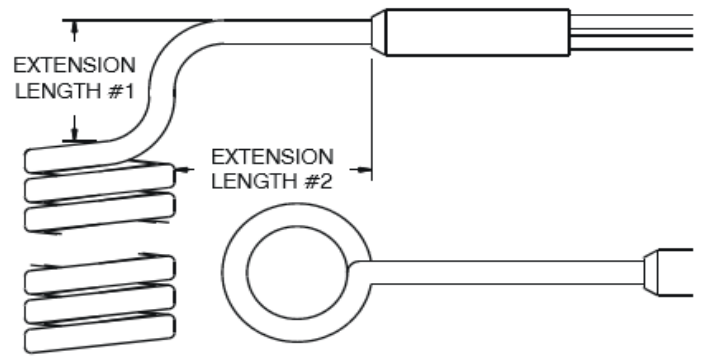
The coil mounted transitions feature machined transitions installed directly on the cable coil. This allows fully flexible leads to exit near the cable coil without a termination extension.

Both standard and coil mounted transition style terminations can be supplied in a wide range of dimensional configurations and lead styles. If a special transition is required please provide a sketch and complete description of the required configuration.

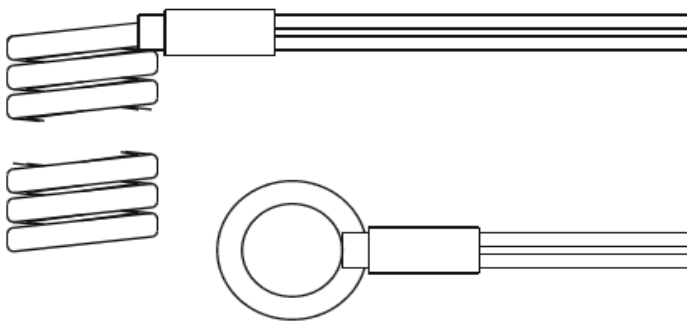
## Type "A" Axial Extension Exit



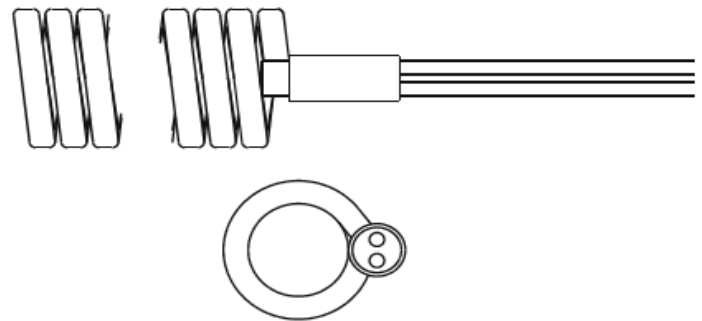
## Type "A90" Axial Extension Exit



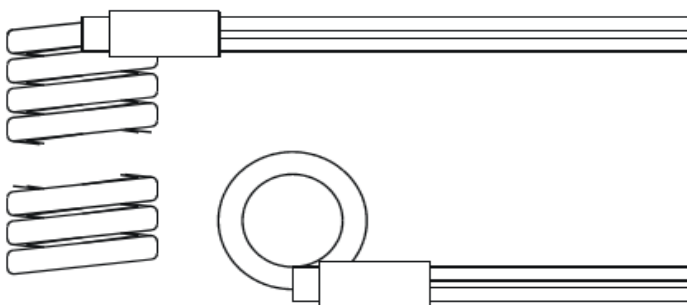
## Type "TR" Transition Radial Exit



## Type "TA" Transition Axial Exit



## Type "TT" Transition Tangential Exit



## Type "TL" Transition Longitudinal Exit

